



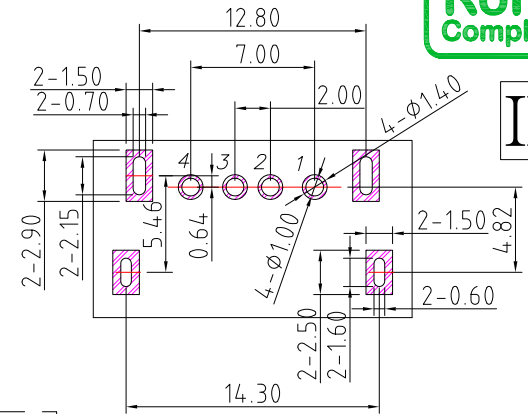
SUA-WP110H53-x-S165

Insulation Housin Color :

Black: B

White : W

IPX8



PCB LAYOUT

PIN ASSIGNMENT

| PIN NO. | 1 | 2 | 3 | 4 |
|-------------|------|----|----|-----|
| SINGAL NAME | VBUS | D- | D+ | GND |

SPECIFICATIONS

Electrical:

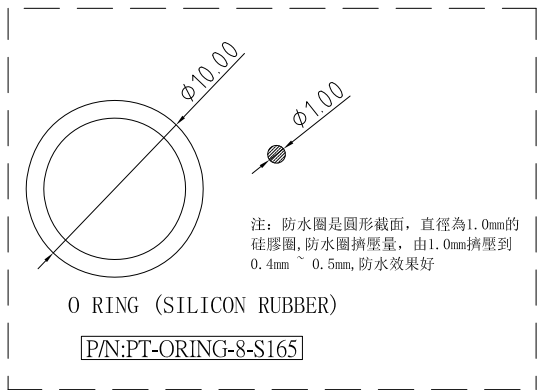
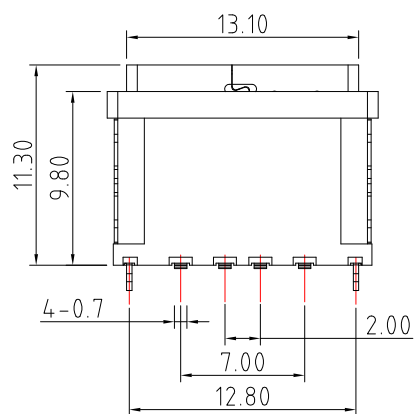
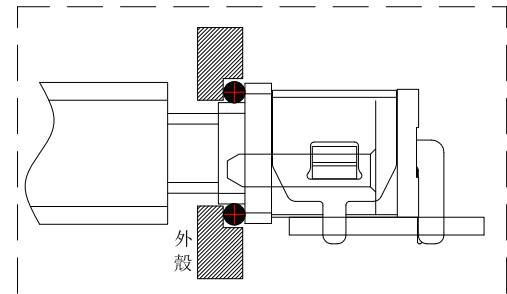
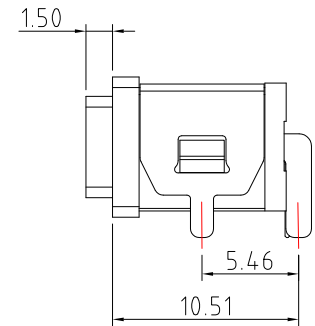
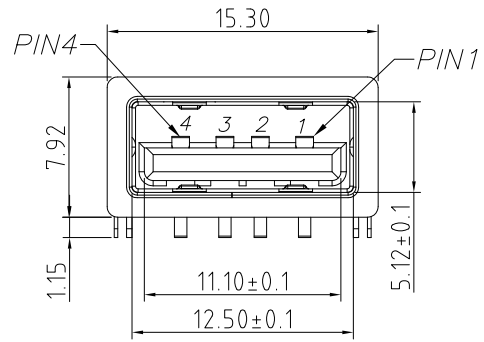
- 1.Rating: 3.0A
- 1.Contact Resistance: 40 mΩ Max
- 2.Insulation Resistance: 100 MΩ Min
- 3.Dielectric Withstanding Voltage: 100V AC

Material:

- 1.Insulation Housing: PA10T
- 2.Contact: Brass
- 3.Shell: SUS

Finish:

- 1.Contact: Plated Gold in Mating Area ;
Gold Plated on Solder Balls
Nickel under plated overall



TOLERANCE UNLESS OTHERWISE STATED :
Up to 5 ±0.2
Above 5 ~ 30 ±0.3
Above 30 ~ 50 ±0.4
Above 50 ±0.5
Angle ±0.3°

3RD. ANGEL'S



UNITS

MM

DRAWN BY: Jack Lu
CHECKED BY: Jacky Chen
APPROVED BY: Tony Kao

DATE: 07/31/20
DATE: 07/31/20
DATE: 07/31/20

MAT'L
FINISH
SCALE: 1 : 1
SHEET NO. 1 of 1

TITLE: CONNECTOR
MODLE: USB 2.0 AF RA WATERPROOF
DWG NO.: SUA-WP110H53-x-S165
PART NO.: SUA-WP110H53-x-S165

SIZE: A4
VER: R1

| ITEM NO. | DESCRIPTION | DRAWN | DATE |
|----------|----------------|-------|--------|
| 1 | 新增PCB LAYOUT尺寸 | Jack | 073120 |